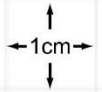
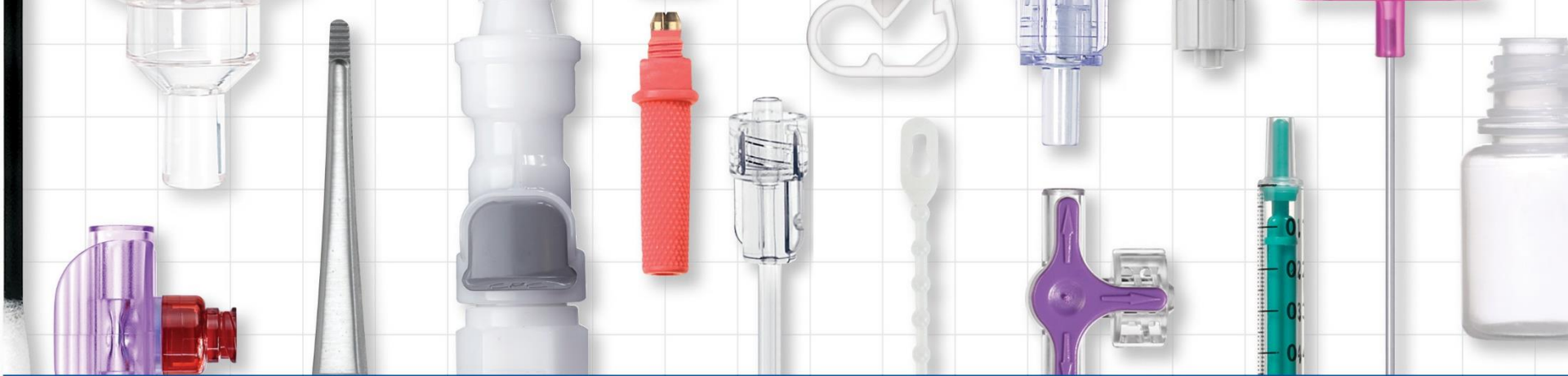


QOSINA



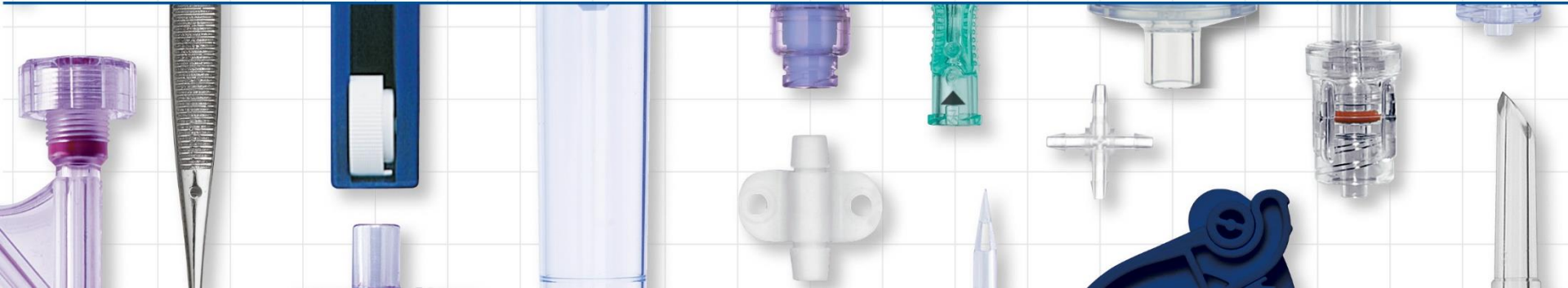
Thousands of Stock Components



↑
←1cm→
↓

Stuart Herskovitz

Chairman of the Board





QOSINA

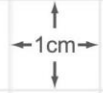
Thousands of Stock Components

Ronkonkoma
Long Island, NY

8,800 square meter headquarters
and distribution center located
1.5 hours from Manhattan



A Global Source for Thousands of Stock Components



Connectors



Stopcocks



Valves



Luers



Tubing



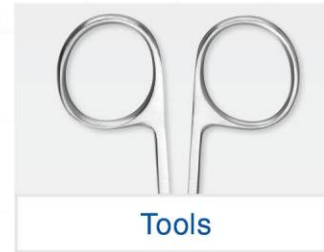
Clamps & Clips



Syringes



Dilators & Introducers



Tools



Swabs & Applicators



Torquers



Filters



Injection Sites



Spikes & Chambers



Tuohy Borsts



120 Employees

Supply Chain Management

- Large inventory to maintain production requirements
 - Kanban approach
 - Shipment consolidations – demand planning and blanket orders
-

Air-Conditioned Warehouse

- Ensures product shelf life of inventory
 - Sealed floors minimize dust
 - Warehouse employee clothing standards
-

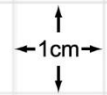
Class 8 (formerly 100,000)
Clean Room

Standards Compliance

ISO 13485, ISO 9001, ISO 14001



ISO 80369
What You Need to Know



ISO 80369-2

Breathing Systems
and Driving Gases
(Airway)

Respiratory

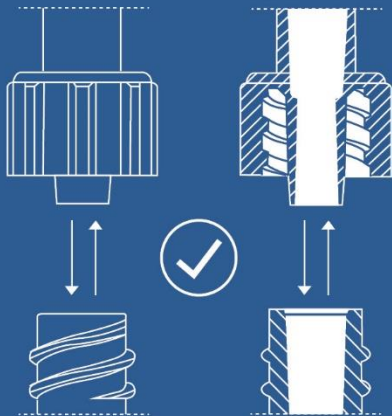
Under Development

ISO 80369-3

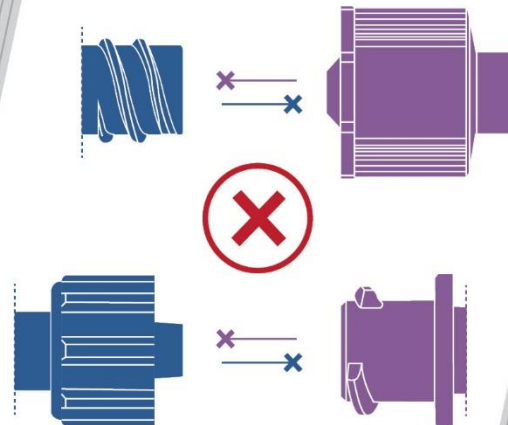
Enteral and Gastric
(Stomach)

ENFit™ is a line of enteral feeding connectors that meet the ISO 80369-3 standard, which has been developed by the International Organization for Standardization to reduce the risk of small-bore misconnections used in liquid and gas healthcare applications.

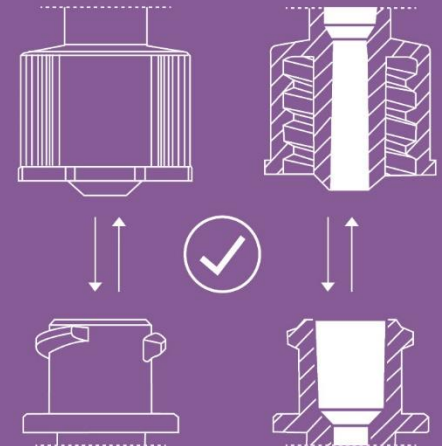
ISO 594 Luer Connections



Will NOT Connect



ISO 80369-3 Enteral Connections



ISO 80369-3

Enteral and Gastric
(Stomach)

Connectors

- 31 male, female and adapters

Caps & Plugs

- 12 male and female caps and straps

Spikes

- Spikes - fits 4 mm & 5.4 mm

Bottle Adapter

Stopcocks

- 3-way stopcocks - fits 4.1 mm & 5.4 mm

Syringes

- 1 ml low dose
- 3 ml low dose
- Complete line of 1 ml – 60 ml



ISO 80369-4

Urinary Collection
(Urethra)

Urinary
Collection

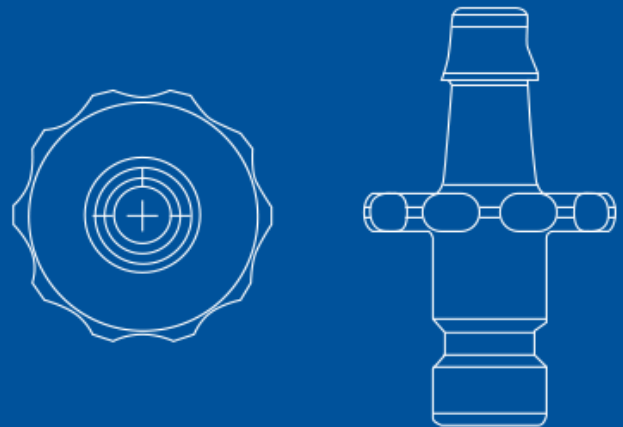
Under Development

ISO 80369-5

Limb Cuff Inflation
(Tourniquets and
BP Cuffs)

Blood Pressure

Based on Bayonet Style Connectors
ISO 80369-5 standardizes
connections between
sphygmomanometers and cuffs.

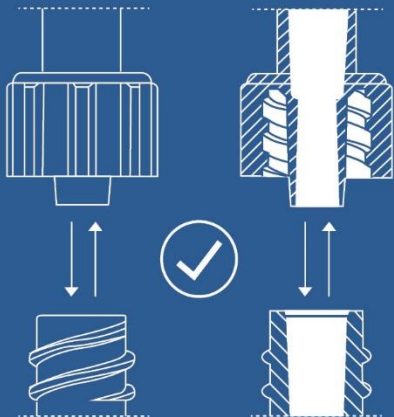


ISO 80369-6

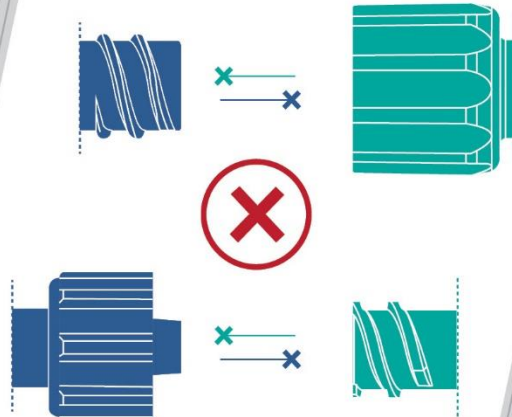
Neuraxial
(Spine)

NRFit™ products address applications involving the use of medical devices intended to administer medications to neuraxial sites, wound infiltration anesthesia delivery and other regional anesthesia procedures, or to monitor or remove cerebro-spinal fluid for therapeutic or diagnostic purposes.

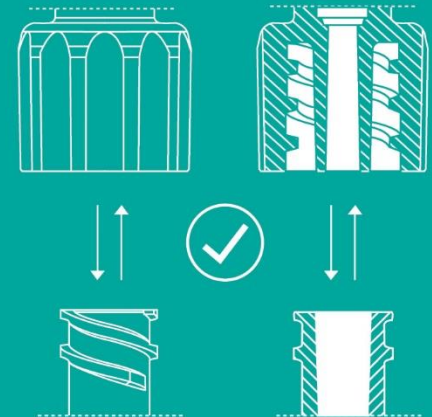
ISO 594 Luer Connections



Will NOT Connect



ISO 80369-6 Neuraxial Connections



ISO 80369-6

Neuraxial
(Spine)

Connectors

- 13 male & female

Caps

- 12 male & female

Filters

- 4 filter straws, 3 female to male filters

Needles

- 2 filter needles



ISO 80369-7

Intravenous
(Artery/Veins)

ISO 80369-7 compliant components
are expected on the market by 2020

Female Luer Lock



Male Luer Lock



Male Luer Slip



ISO 80369-7 is a refinement of the traditional luer and replaces the former ISO 594-1 and ISO 594-2, but only when intended to be used for intravascular applications or hypodermic connections.

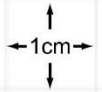
According to ISO 80369-20 (Testing Methods), additional testing is needed to bring components into ISO 80369-7 compliance

Transition Adapters

Allow users to use
ISO 80369-3 Components
with standard luers



QOSINA



Thousands of Stock Components